



# TRINITY GLASS INTERNATIONAL

33615 1st Way S, Federal Way, WA 98003

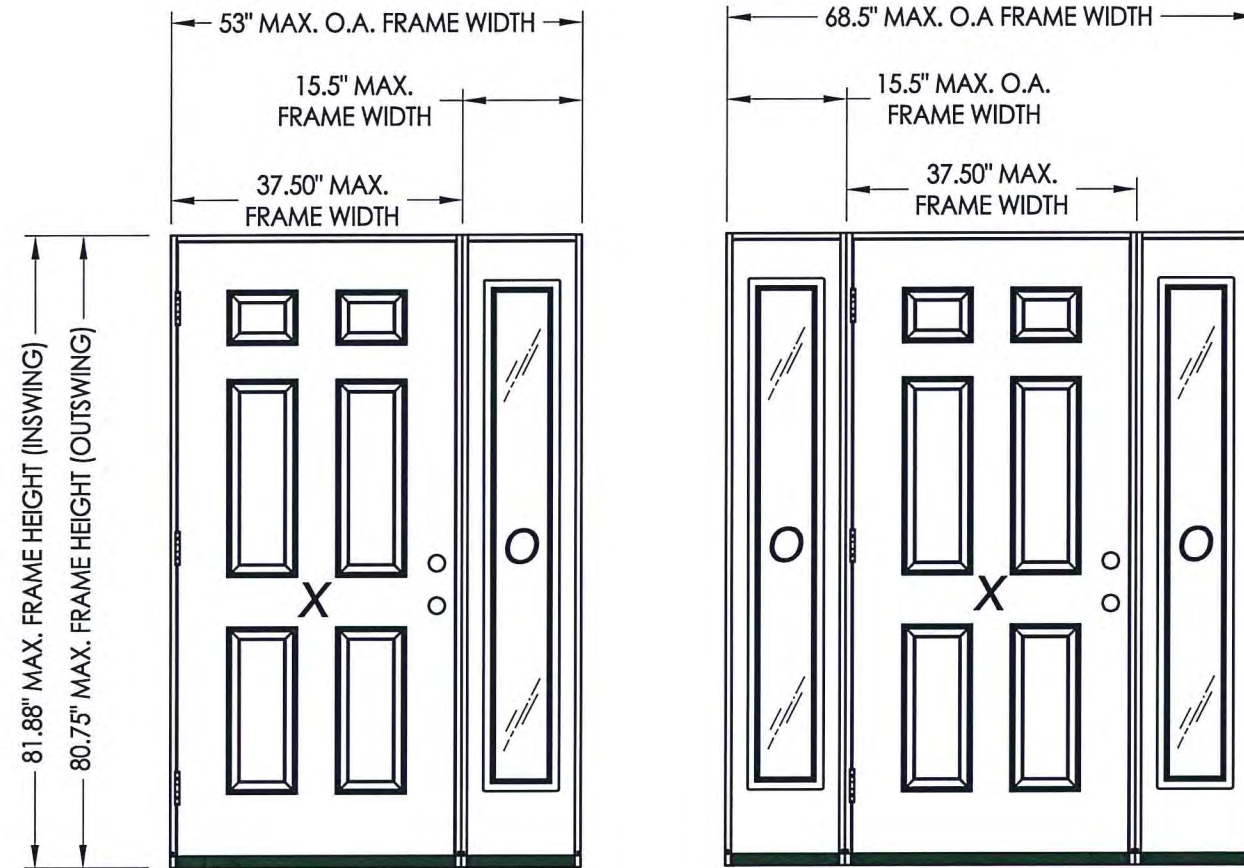
## OPAQUE FIBERGLASS DOOR with SIDELITE(S) IN SWING / OUT SWING "NON-IMPACT"

### GENERAL NOTES

- This product has been evaluated and is in compliance with the 5th Edition (2014) Florida Building Code (FBC) structural requirements including the "High Velocity Hurricane Zone" (HVHZ).
- Product anchors shall be as listed and spaced as shown on details. Anchor embedment to base material shall be beyond wall dressing or stucco.
- When used in the "HVHZ" this product is required to be protected with an impact resistant covering that complies with Section 1626 of the FBC.
- When used in areas outside of the "HVHZ" requiring wind borne debris protection this product is required to be protected with an impact resistant covering that complies with Section 1609.1.2 of the FBC.
- For 2x stud framing construction, anchoring of these units shall be the same as that shown for 2x buck masonry construction.
- Site conditions that deviate from the details of this drawing require further engineering analysis by a licensed engineer or registered architect.
- Outswing configuration using threshold item #25 meet water infiltration requirements for "HVHZ".
- Inswing configurations and outswing configuration using threshold item #27 do not meet the water infiltration requirements for the "HVHZ" and shall be installed only in non-habitable areas or at habitable locations protected by an overhang or canopy such that the angle between the edge of canopy or overhang to sill is less than 45 degrees.

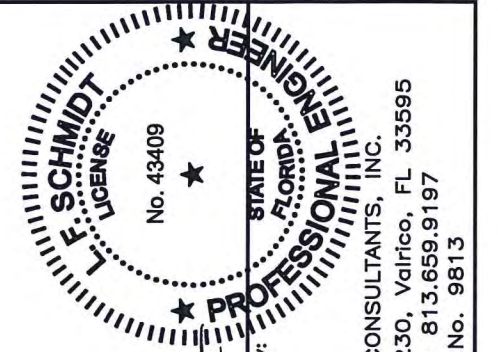
### TABLE OF CONTENTS

SHEET#	DESCRIPTION
1	Typical elevations, design pressures & general notes
2	Door panel details
3	Sidelite panel details & glazing details
4	Sidelite panel details & glazing details
5	Elevations
6	Horizontal cross sections
7	Vertical cross sections
8	Vertical cross sections
9	Buck anchoring
10	Frame anchoring
11	Components
12	Bill of materials



Boxed Jamb Sidelites

CONFIGURATION	MAX. FRAME DIMENSION	JAMB TYPE	DESIGN PRESSURE (PSF)	
			POSITIVE	NEGATIVE
OX/XO	53.0" x 81.88"	WOOD	+60.0	-70.0
		FIBERGLASS/COMP	+55.0	-55.0
OXO	68.5" x 81.88"	WOOD	+55.0	-55.0
		FIBERGLASS/COMP	+55.0	-55.0



Documents Prepared By:  
Lyndon F. Schmidt  
P.E. No. 43409

**R.W.** BUILDING CONSULTANTS, INC.  
P.O. Box 230, Vairico, FL 33595  
Phone No.: 813.659.9197  
FBPE C.A. No. 9813

PRODUCT: TRINITY GLASS INT'L  
PART OR ASSEMBLY: TYPICAL ELEVATION, DESIGN PRESSURES & GENERAL NOTES

NO.	DATE	BY	REVISIONS
1	03/02/15	JK	UPDATE TO 5TH ED. (2014) FBC

DATE: 02/27/12

SCALE: N.T.S.

DWG. BY: JK

CHK. BY: LFS

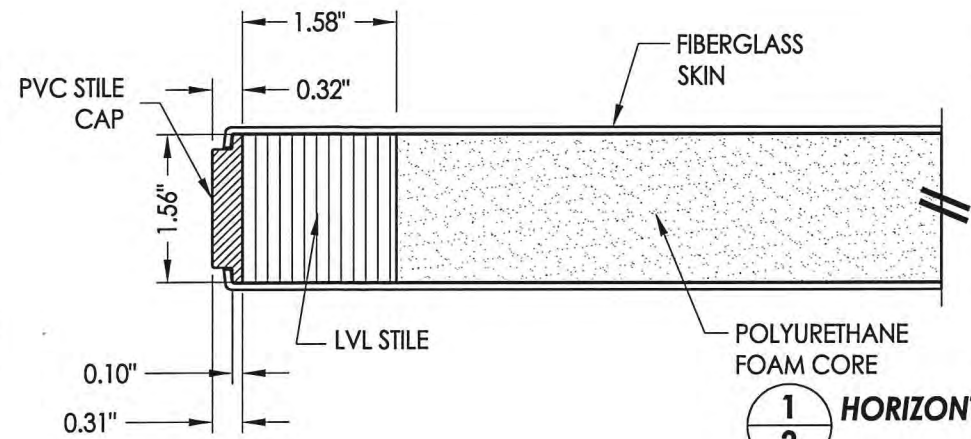
DRAWING NO.:

FL-15255.11

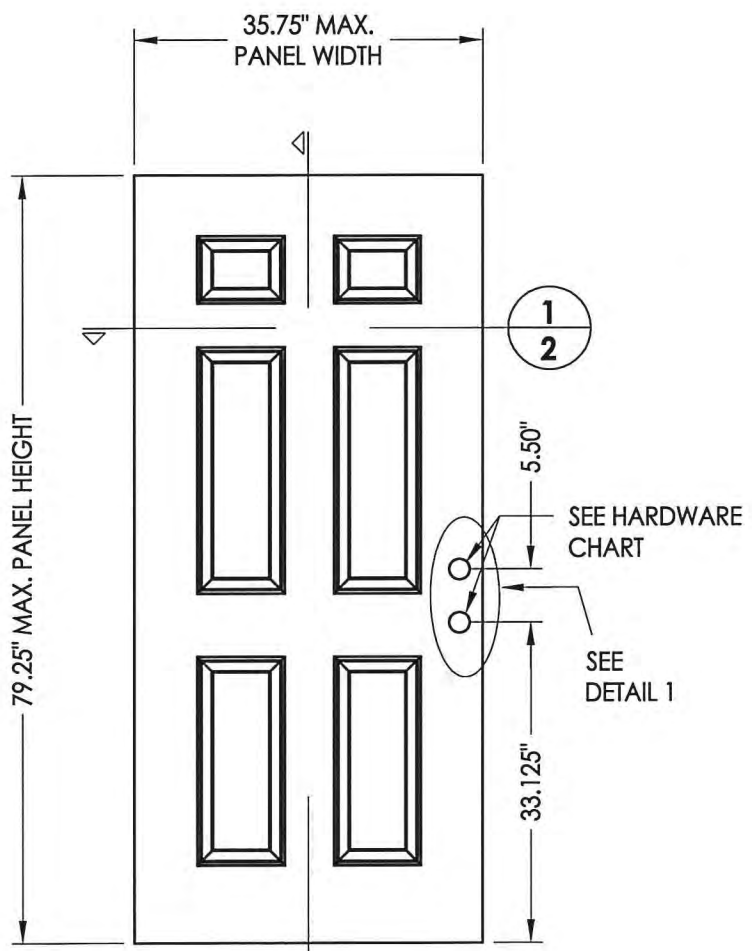
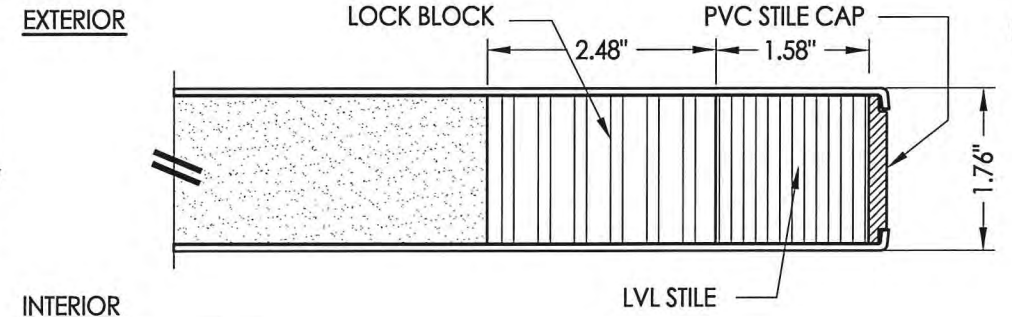
SHEET 1 OF 12



R:\Clients\Trinity PERMANENT\Florida Product Approvals\FL-15255\C - Drawings\FL-15255\FL-15255.9-12.dwg, 2.11

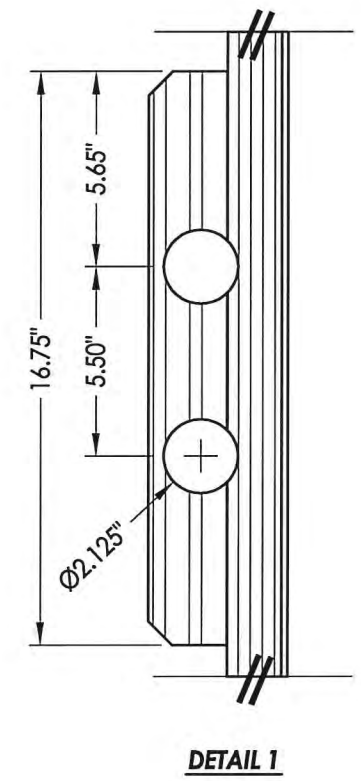


**1**  
**2** HORIZONTAL CROSS SECTION



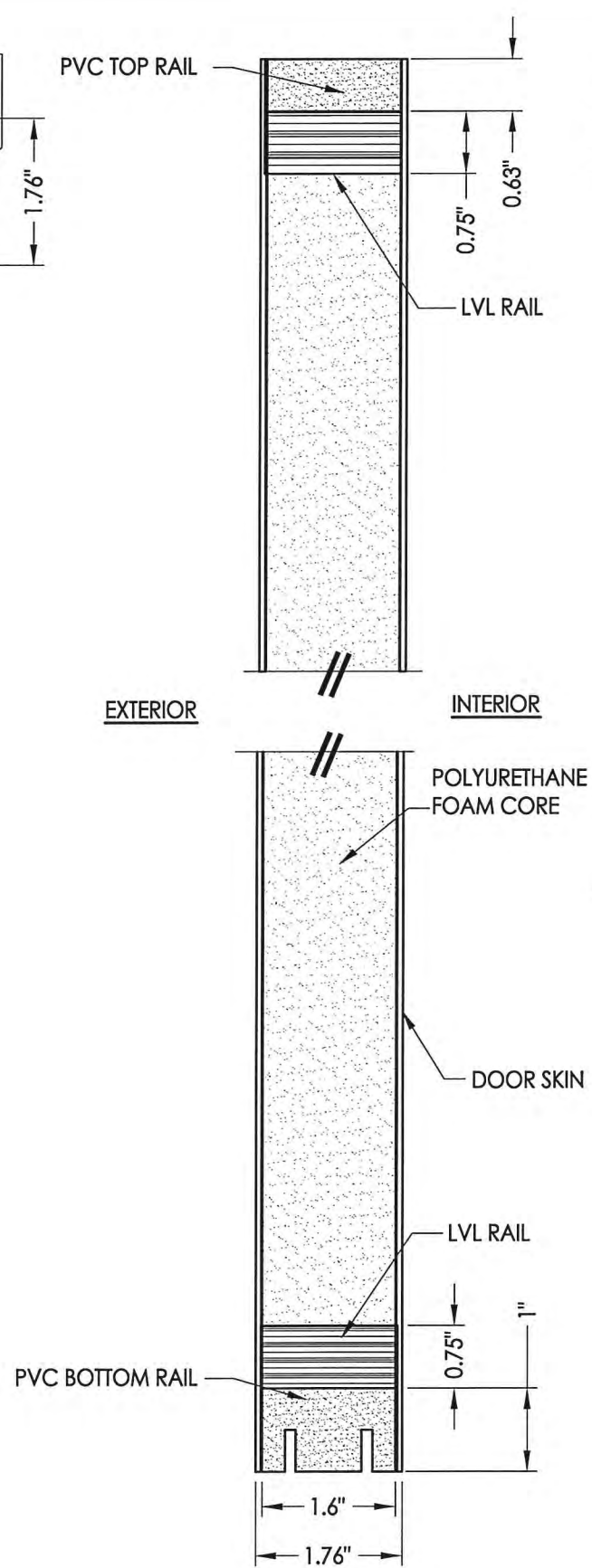
**40** OPAQUE DOOR

DOOR SKIN: 0.079" MIN. THK. FIBERGLASS  
CORE MATERIAL: POLYURETHANE FOAM

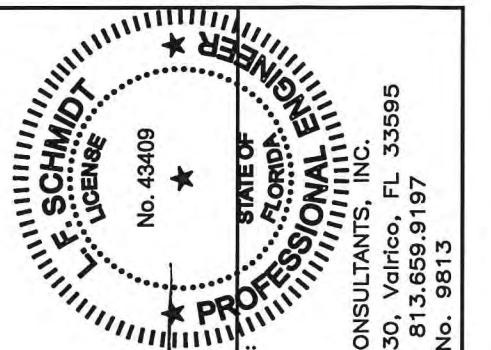


DETAIL 1

HARDWARE CHART	
MANUFACTURER	MODEL
KWIKSET	KNOB: SIGNATURE SERIES DEADBOLT: SIGNATURE SERIES (980)



**2**  
**2** VERTICAL CROSS SECTION

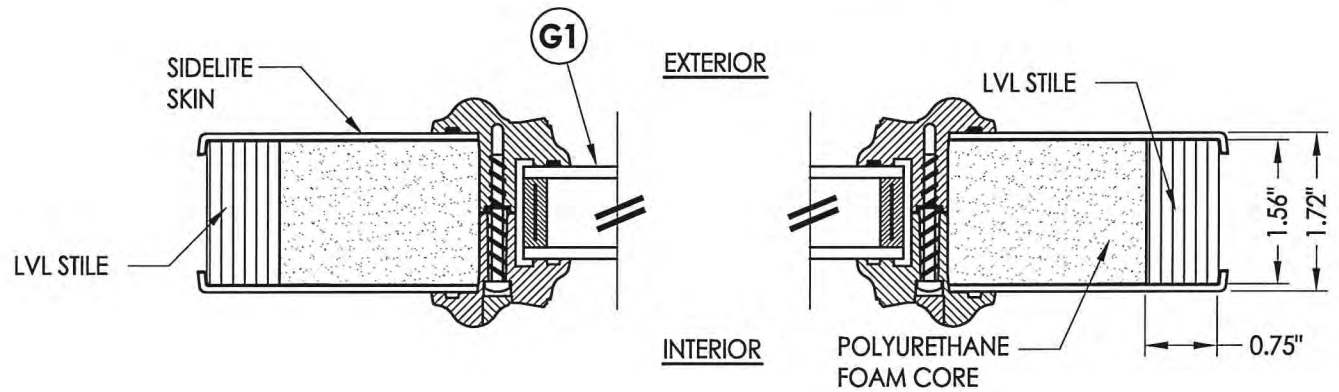


Documents Prepared By:  
Lyndon F. Schmidt  
P.E. No. 43409  
R.W. BUILDING CONSULTANTS, INC.  
P.O. Box 230, Valrico, FL 33595  
Phone No.: 813.659.9197  
FBPE C.A. No. 9813

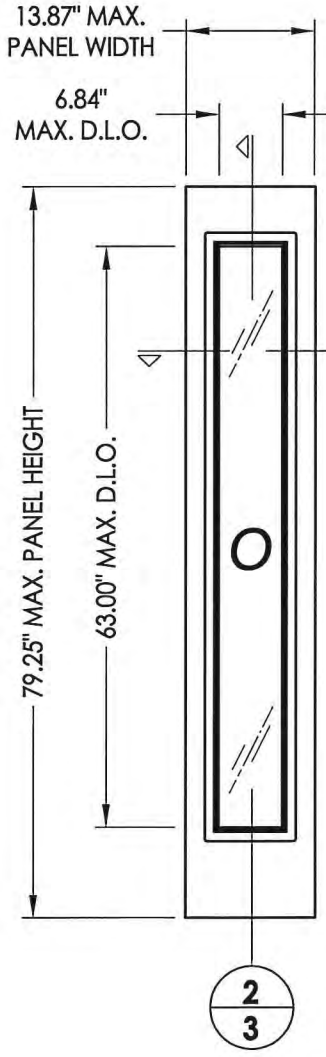
PRODUCT:	TRINITY GLASS INT'L
PART OR ASSEMBLY:	DOOR PANEL DETAILS

NO.	DATE	BY
1	03/02/15	JK
UPDATE TO 5TH ED. (2014) FBC		

DATE:	02/27/12
SCALE:	N.T.S.
DWG. BY:	JK
CHK. BY:	LFS
DRAWING NO.:	FL-15255.11
SHEET	2 OF 12

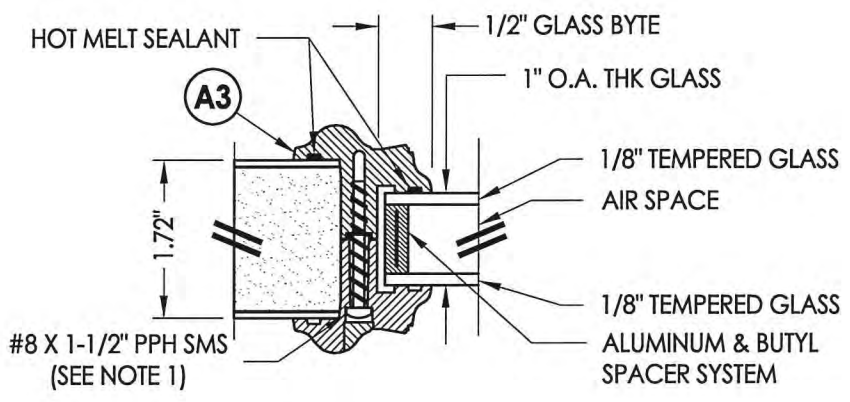


**1**  
**3** **HORIZONTAL CROSS SECTION**

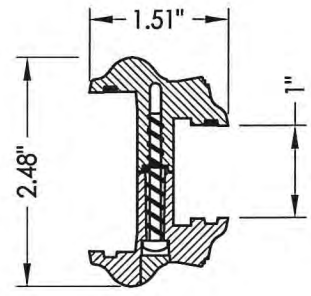


**41** **FIBERGLASS SIDELITE**  
"Non-Impact" Lite Frame

DOOR SKIN: 0.079" MIN. THK. FIBERGLASS  
CORE MATERIAL: POLYURETHANE FOAM

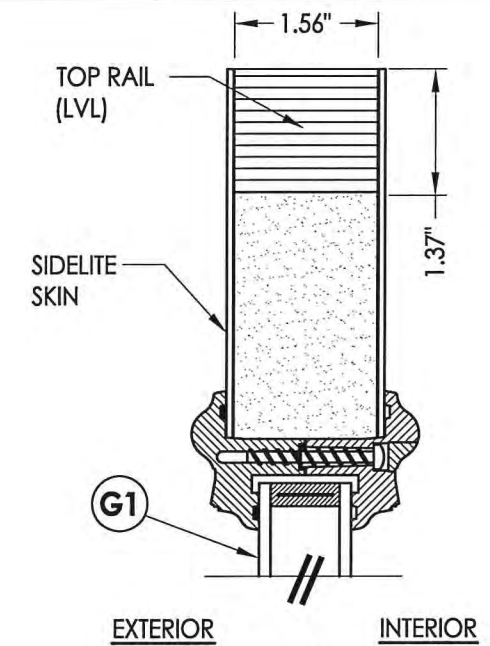


**G2** **GLAZING DETAIL**  
Lip Lite Frame



**A3** **LIP LITE FRAME**  
ABS or PC/ASA

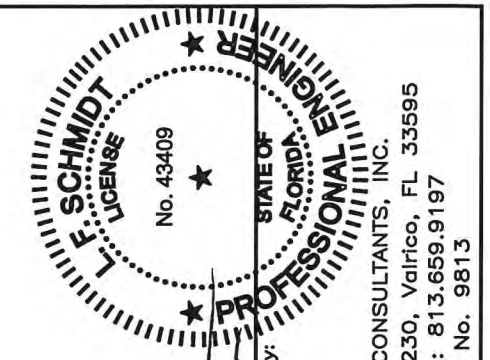
NOTE:  
1. Spacing for lite frame screw is as follows:  
Top and Bottom: 2" from each corner (2 total)  
Sides: 2" from each corner and equally spaced thereafter (8 total)



**2**  
**3** **VERTICAL CROSS SECTION**

POLYURETHANE  
FOAM CORE

BOTTOM RAIL  
(LVL)



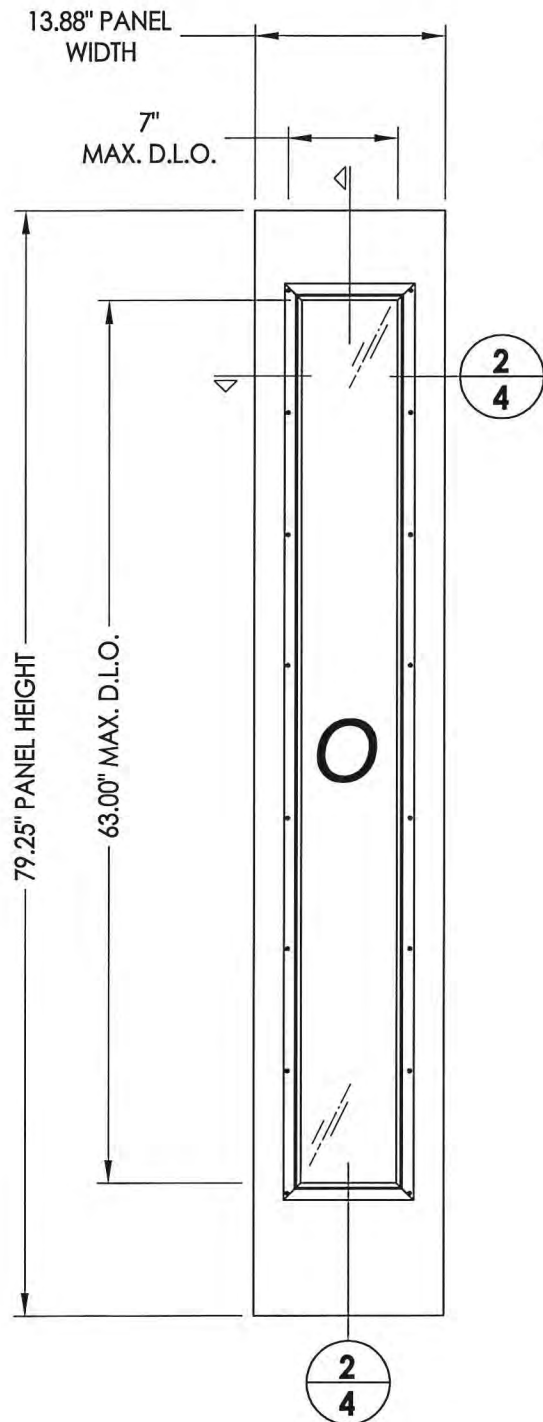
Documents Prepared By:  
Lyndon F. Schmidt  
P.E. No. 43409

**R.W.** BUILDING CONSULTANTS, INC.  
P.O. Box 230, Valrico, FL 33595  
Phone No.: 813.659.9197  
FBPE C.A. No. 9813

PRODUCT:	TRINITY GLASS INT'L
PART OR ASSEMBLY:	SIDELITE PANEL DETAILS & GLAZING DETAILS

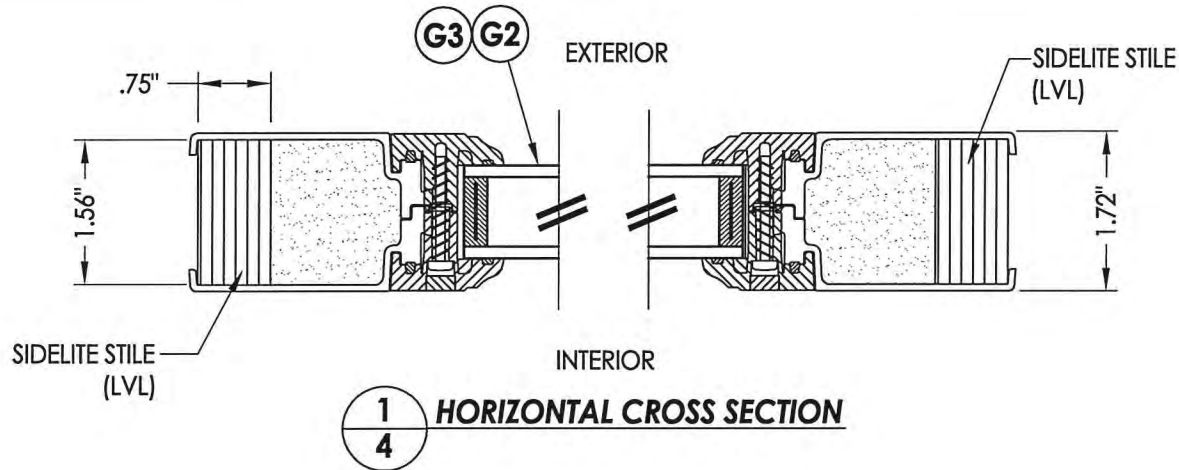
NO.	DATE	BY
1	03/02/15	JK
	UPDATE TO 5TH ED. (2014)	FBC

DATE:	02/27/12
SCALE:	N.T.S.
DWG. BY:	JK
CHK. BY:	LFS
DRAWING NO.:	FL-15255.11
SHEET	3 OF 12

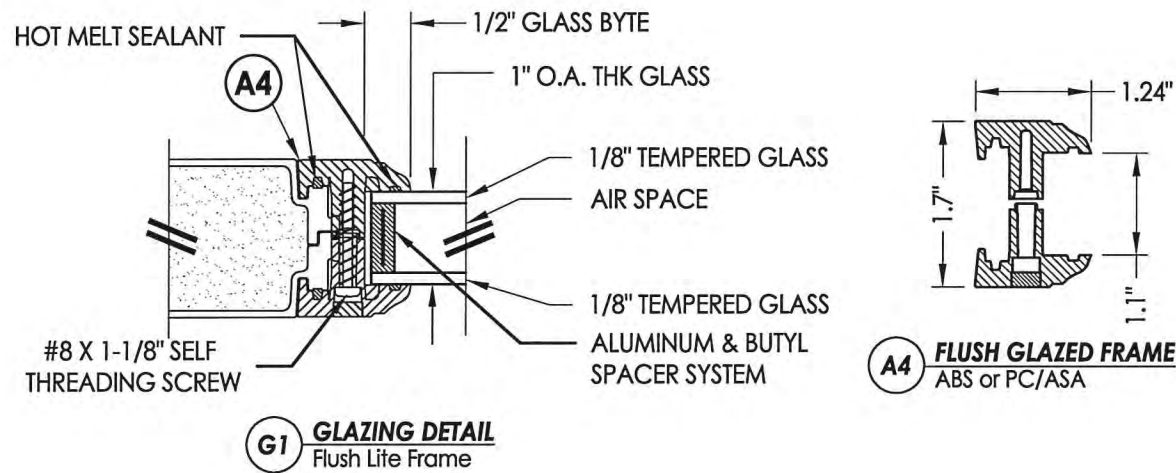


**42 FIBERGLASS SIDELITE**  
"Non-Impact" Flush Lite Frame

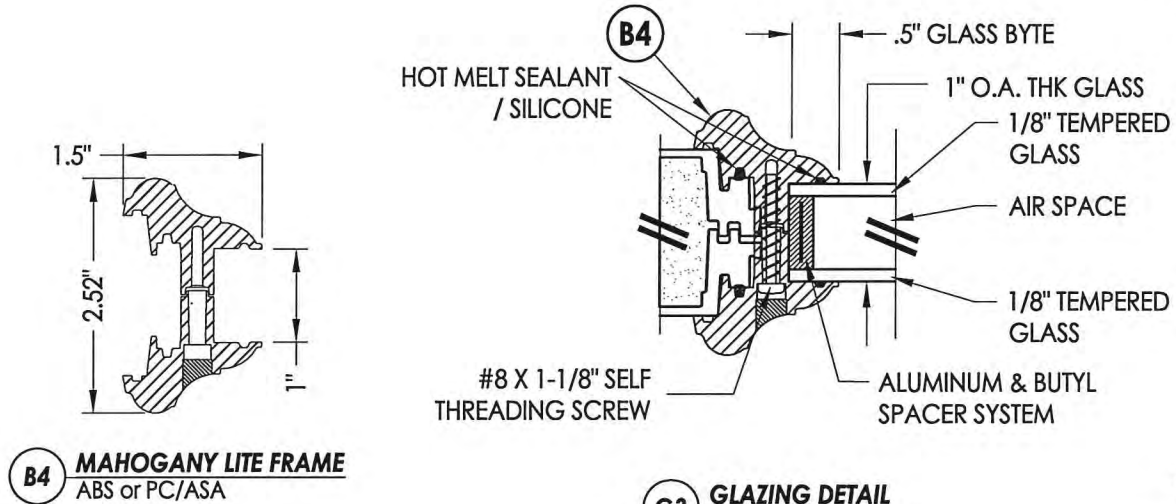
DOOR SKIN: 0.079" MIN. THK. FIBERGLASS  
CORE MATERIAL: POLYURETHANE FOAM



**1 HORIZONTAL CROSS SECTION**  
4



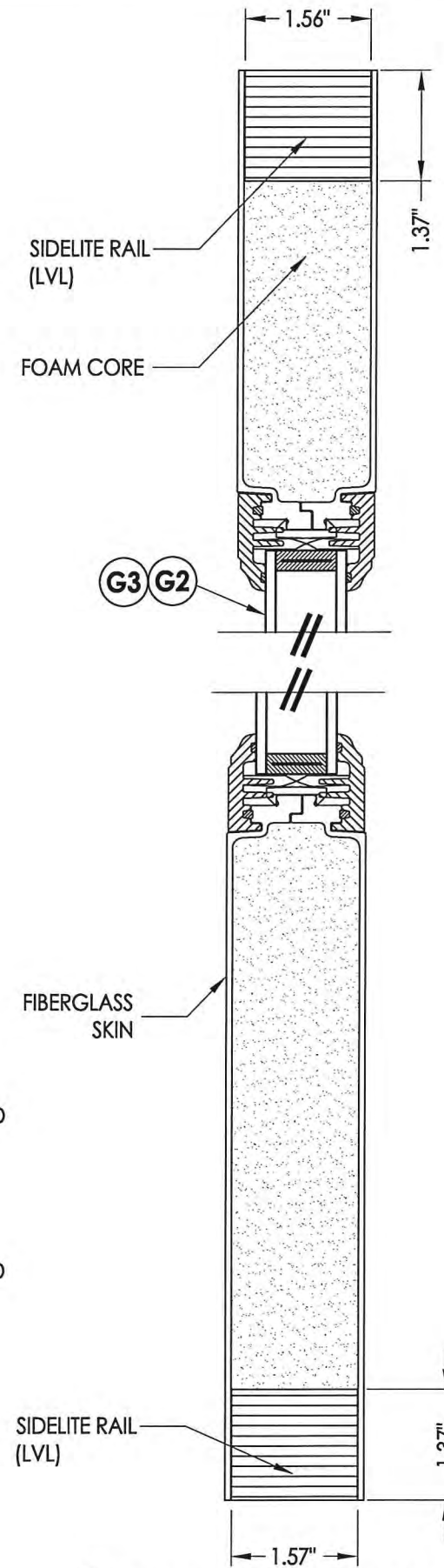
**G1 GLAZING DETAIL**  
Flush Lite Frame



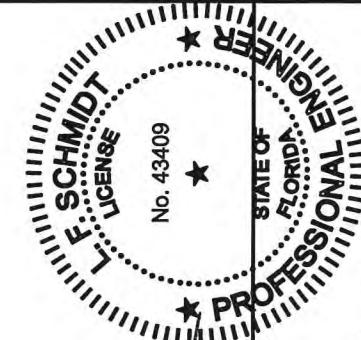
**B4 MAHOGANY LITE FRAME**  
ABS or PC/ASA

**G3 GLAZING DETAIL**  
Flush Lite Frame

NOTE:  
1. Spacing for lite frame screw is as follows:  
Sides: 0.5" from each corner and 9.5" max. spacing thereafter (8 total)



**2 VERTICAL CROSS SECTION**  
4

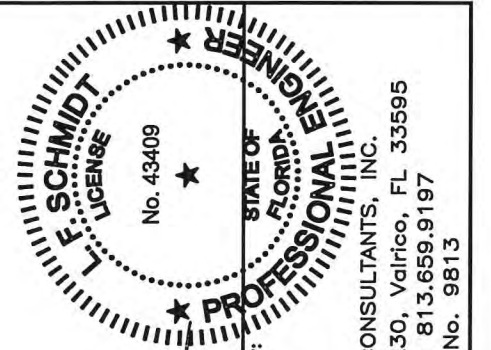
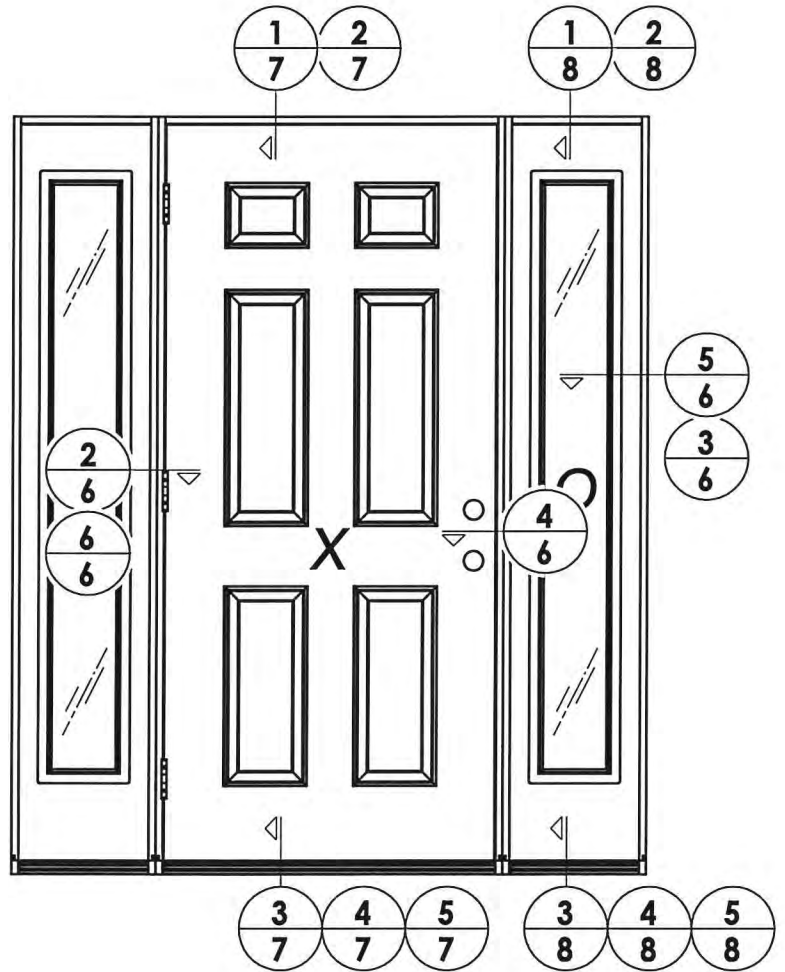
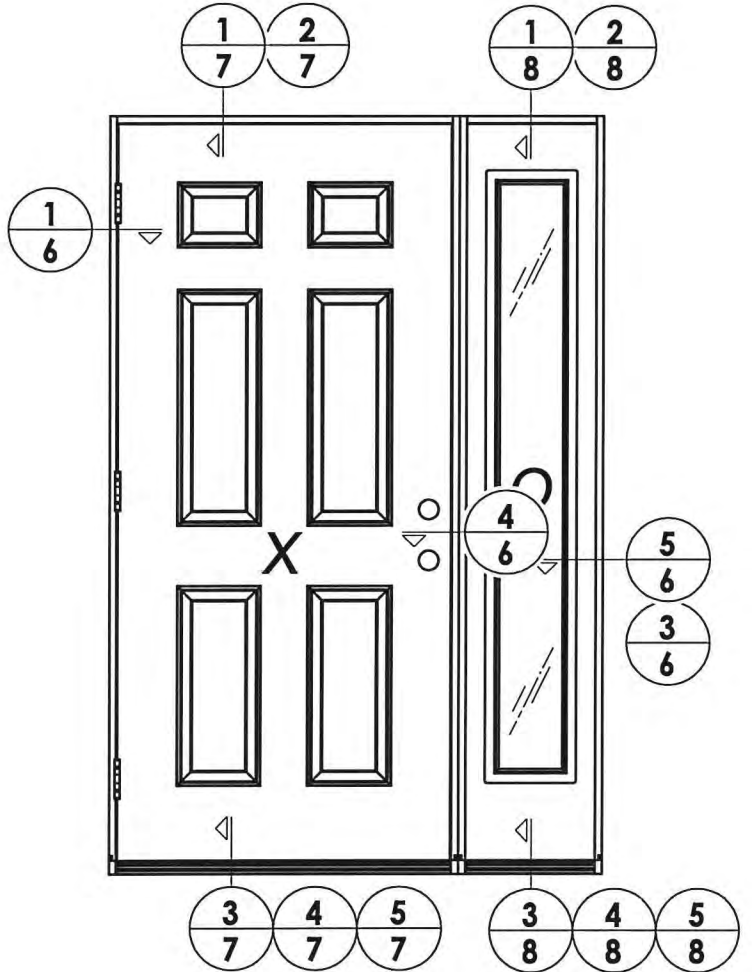


Documents Prepared By:  
Lyndon F. Schmidt  
P.E. No. 43409

**R.W.**  
BUILDING CONSULTANTS, INC.  
P.O. Box 230, Valrico, FL 33595  
Phone No.: 813.659.9197  
FBPE C.A. No. 9813

PRODUCT:	TRINITY GLASS INT'L	
PART OR ASSEMBLY:	SIDELITE PANEL DETAILS & GLAZING DETAILS	
DATE:	02/27/12	
SCALE:	N.T.S.	
DWG. BY:	JK	
CHK. BY:	LFS	
DRAWING NO.:	FL-15255.11	
SHEET	4 OF 12	
NO.	DATE	BY
1	03/02/15	JK
		FBC
		REVISIONS





Documents Prepared By:  
 Lyndon F. Schmidt  
 P.E. No. 43409

*RW* BUILDING CONSULTANTS, INC.  
 P.O. Box 230, Valrico, FL 33595  
 Phone No.: 813.659.9197  
 FBPE C.A. No. 9813

PRODUCT: TRINITY GLASS INT'L

PART OR ASSEMBLY: ELEVATIONS

NO.	DATE	REVISIONS	JK	BY
1	03/02/15	UPDATE TO 5TH ED. (2014) FBC		

DATE: 02/27/12

SCALE: N.T.S.

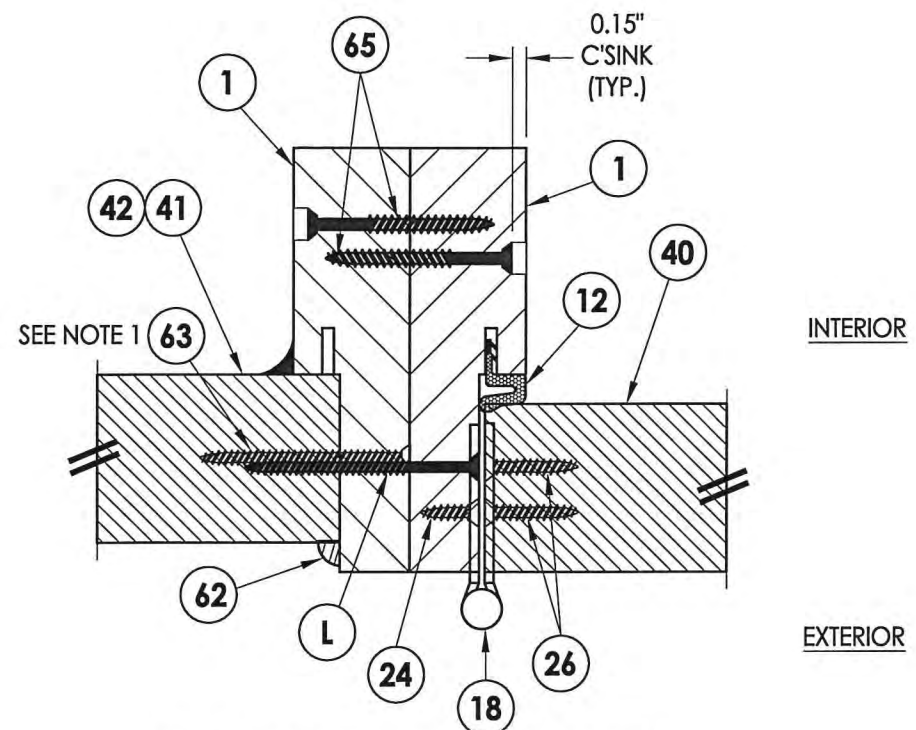
DWG. BY: JK

CHK. BY: LFS

DRAWING NO.: FL-15255.11

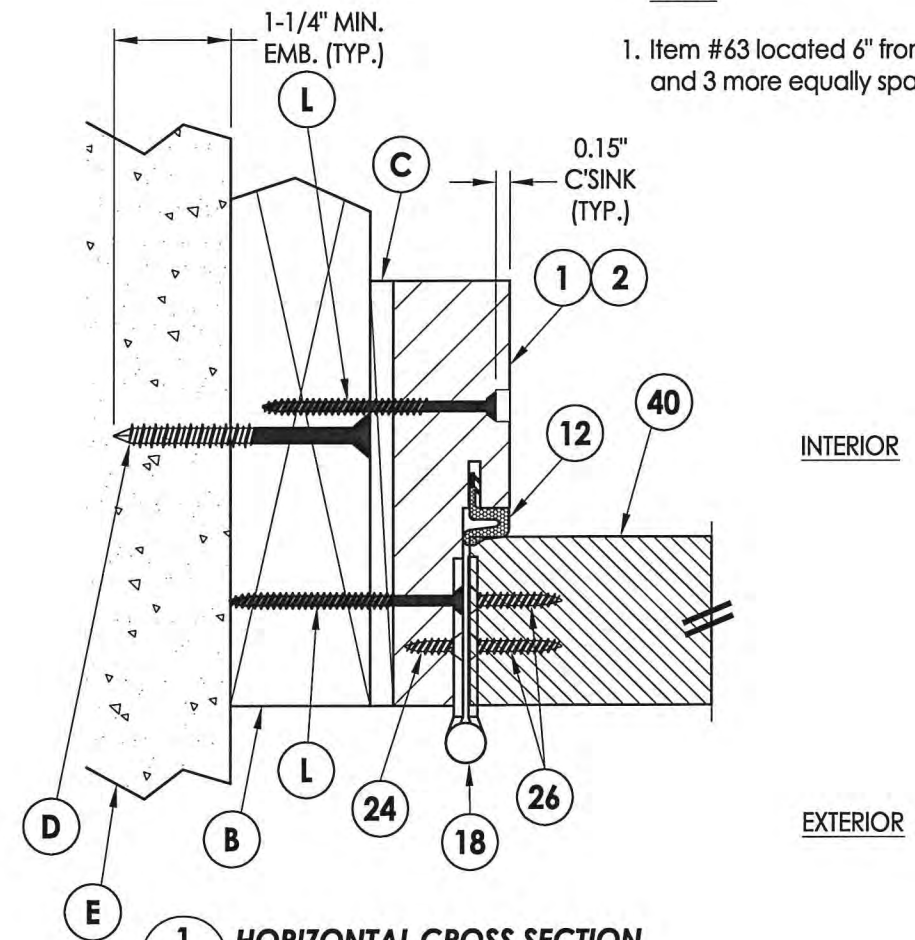
SHEET 5 OF 12

R:\Clients\Trinity PERMANENT\Florida Product Approvals\FL-15255\C - Drawings\FL-15255\FL-15255.9-12.dwg, 6.11

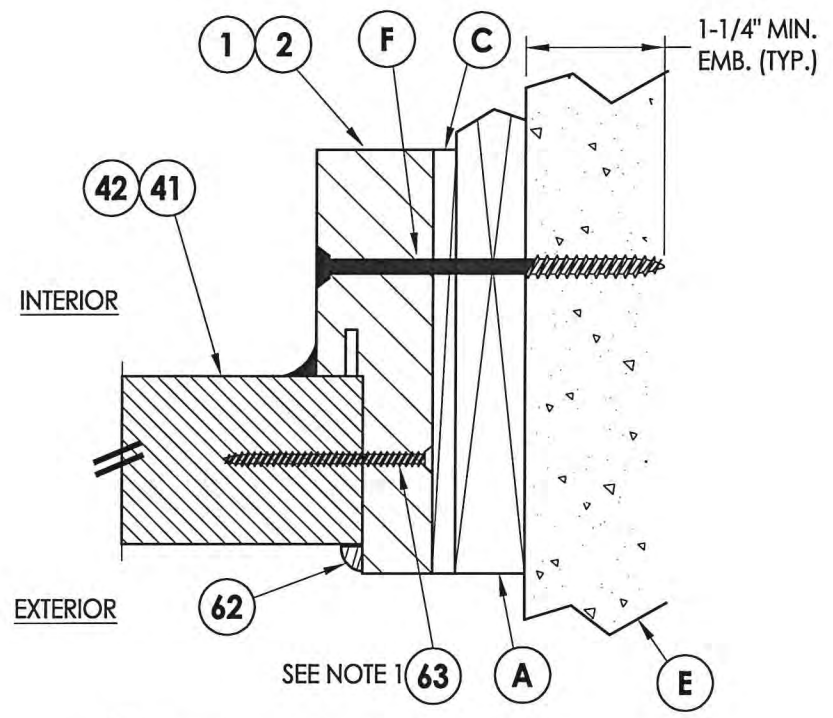


**2 HORIZONTAL CROSS SECTION**  
**6** Outswing shown - Inswing also approved  
 Shown w/ wood jambs

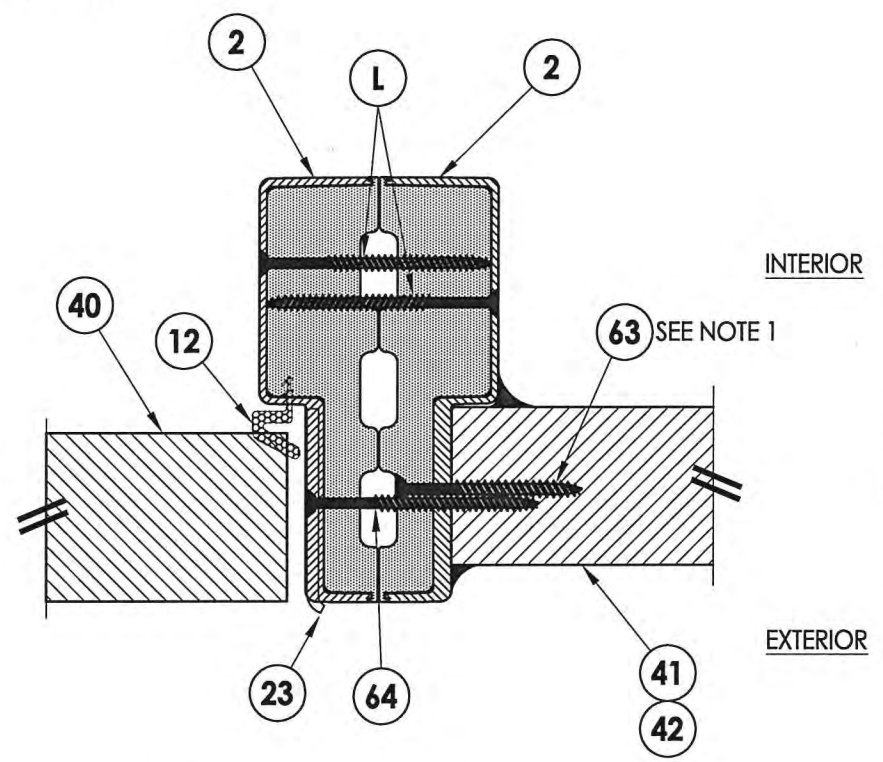
**NOTE:**  
 1. Item #63 located 6" from each end and 3 more equally spaced (5 total).



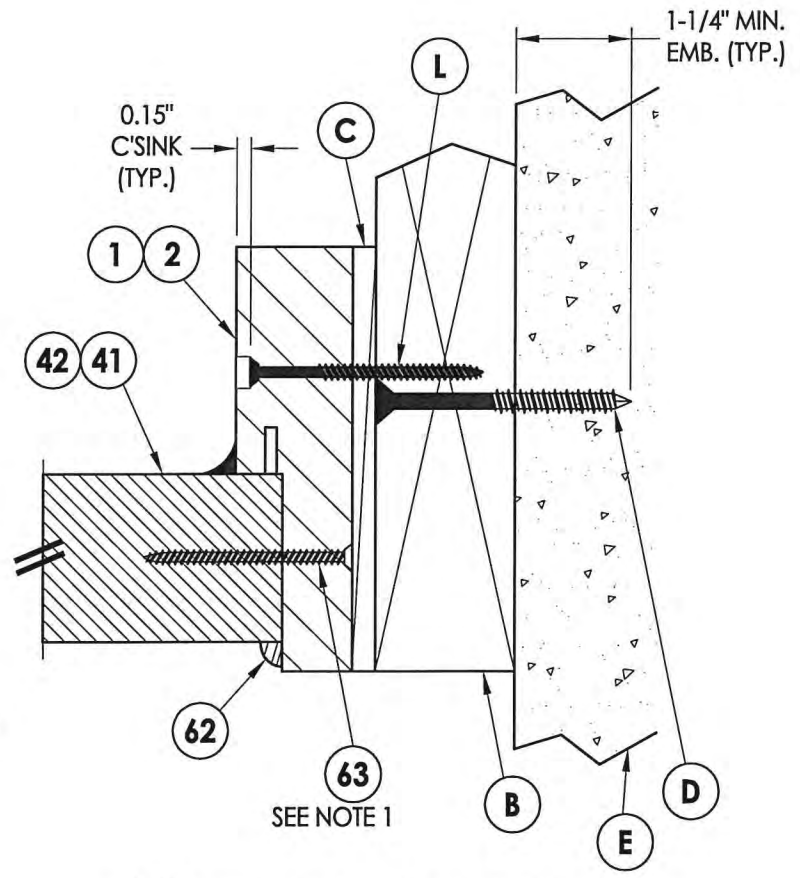
**1 HORIZONTAL CROSS SECTION**  
**6** Outswing shown - Inswing also approved



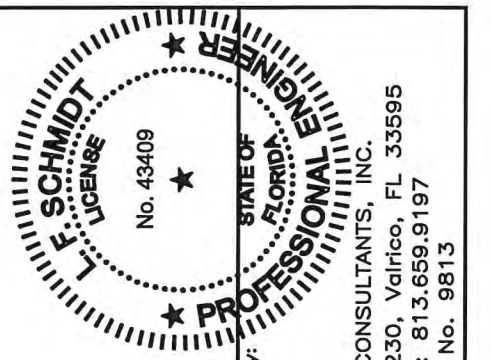
**3 HORIZONTAL CROSS SECTION**  
**6** Shown w/1X sub-buck



**4 HORIZONTAL CROSS SECTION**  
**6** Outswing shown - Inswing also approved  
 Shown w/ Fiberglass/Comp. jambs



**5 HORIZONTAL CROSS SECTION**  
**6** Outswing shown - Inswing also approved



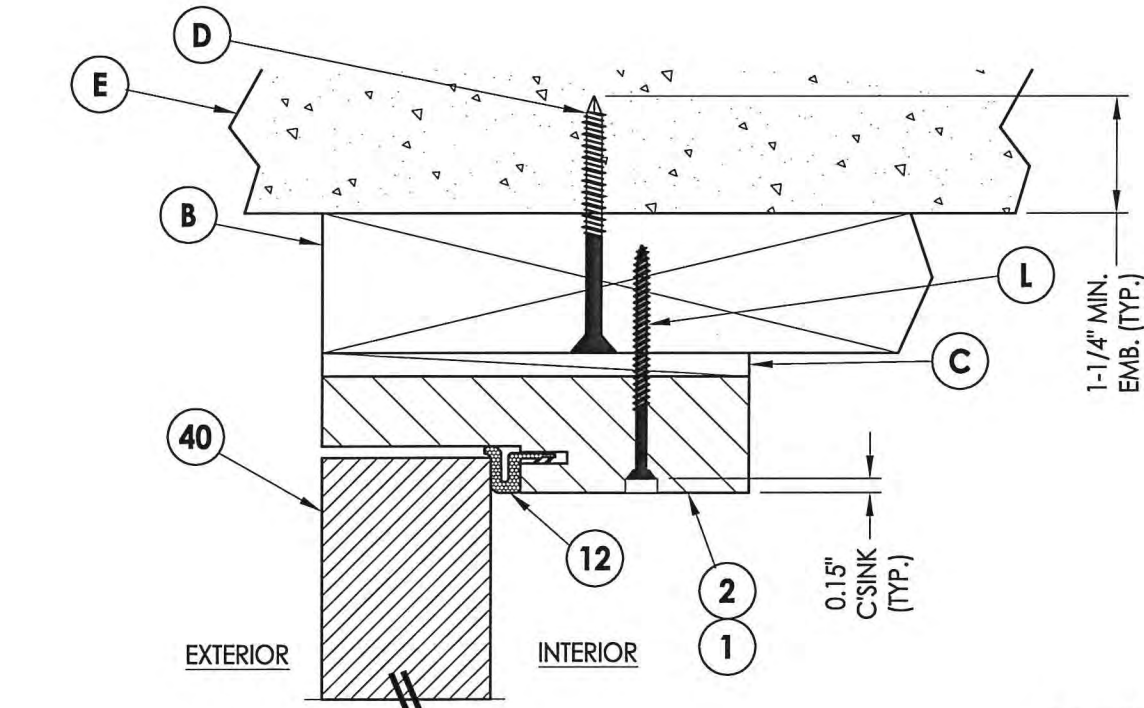
Documents Prepared By:  
 Lyndon F. Schmidt  
 P.E. No. 43409  
 R.W.  
 BUILDING CONSULTANTS, INC.  
 P.O. Box 230, Valrico, FL 33595  
 Phone No.: 813.659.9197  
 FBPE C.A. No. 9813

PRODUCT: TRINITY GLASS INT'L  
 PART OR ASSEMBLY: HORIZONTAL CROSS SECTIONS

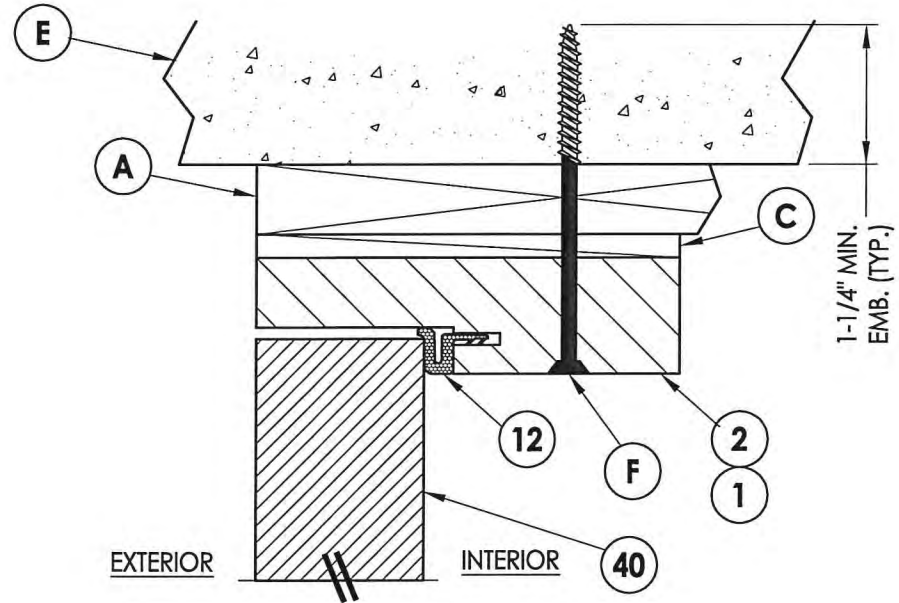
NO.	DATE	REVISIONS
1	03/02/15	UPDATE TO 5TH ED. (2014) FBC

DATE: 02/27/12  
 SCALE: N.T.S.  
 DWG. BY: JK  
 CHK. BY: LFS  
 DRAWING NO.: FL-15255.11  
 SHEET 6 OF 12

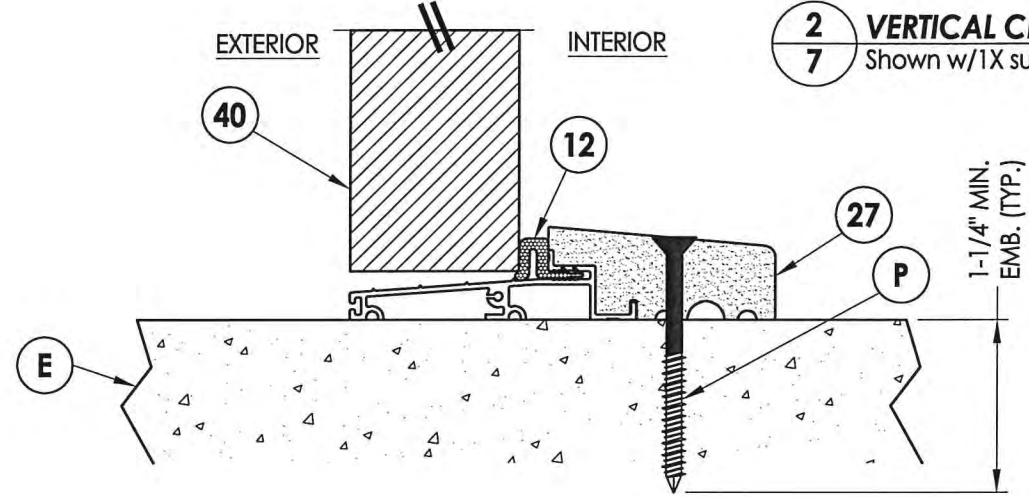
R:\Clients\Trinity PERMANENT\Florida Product Approvals\FL-15255\C - Drawings\FL-15255\FL-15255.9-12.dwg, 7.11



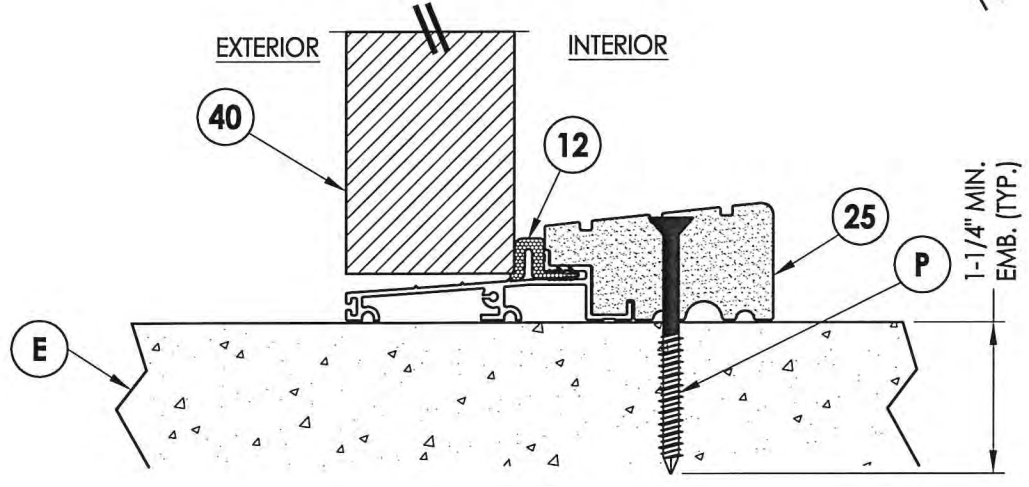
**1**  
**7** **VERTICAL CROSS SECTION**  
Outswing shown  
Inswing also approved



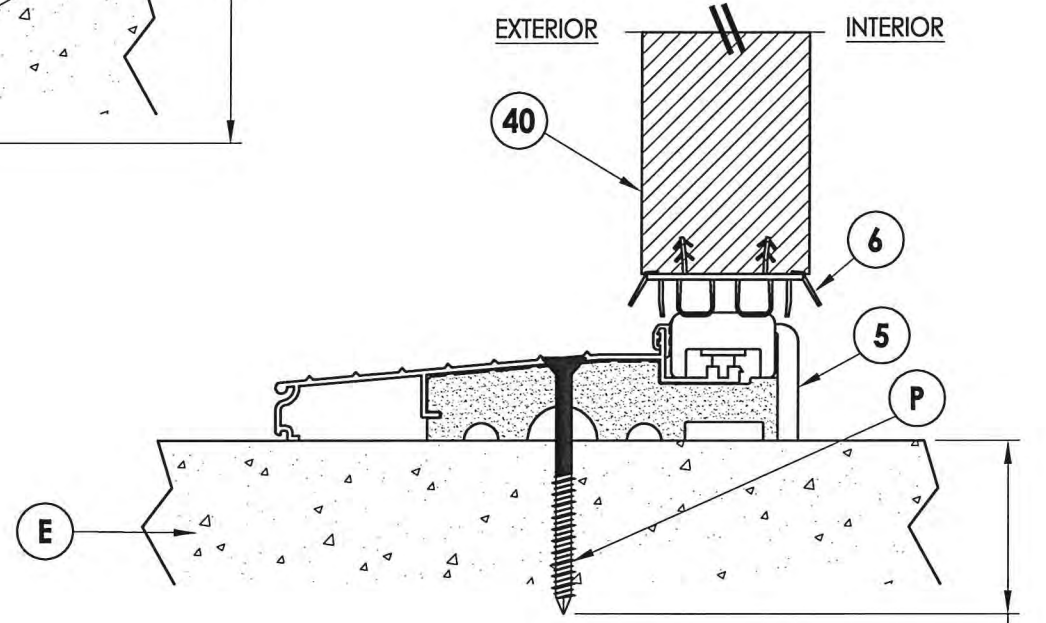
**2**  
**7** **VERTICAL CROSS SECTION**  
Shown w/1x sub-buck



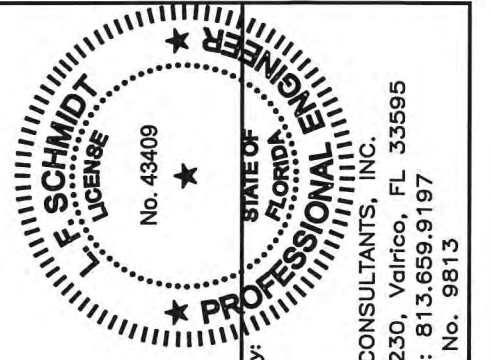
**4**  
**7** **VERTICAL CROSS SECTION**  
Outswing sill



**3**  
**7** **VERTICAL CROSS SECTION**  
Outswing sill - high dam



**5**  
**7** **VERTICAL CROSS SECTION**  
Inswing sill



Documents Prepared By:  
Lyndon F. Schmidt  
P.E. No. 43409

**RW** BUILDING CONSULTANTS, INC.  
P.O. Box 230, Valrico, FL 33595  
Phone No.: 813.659.9197  
FBPE C.A. No. 9813

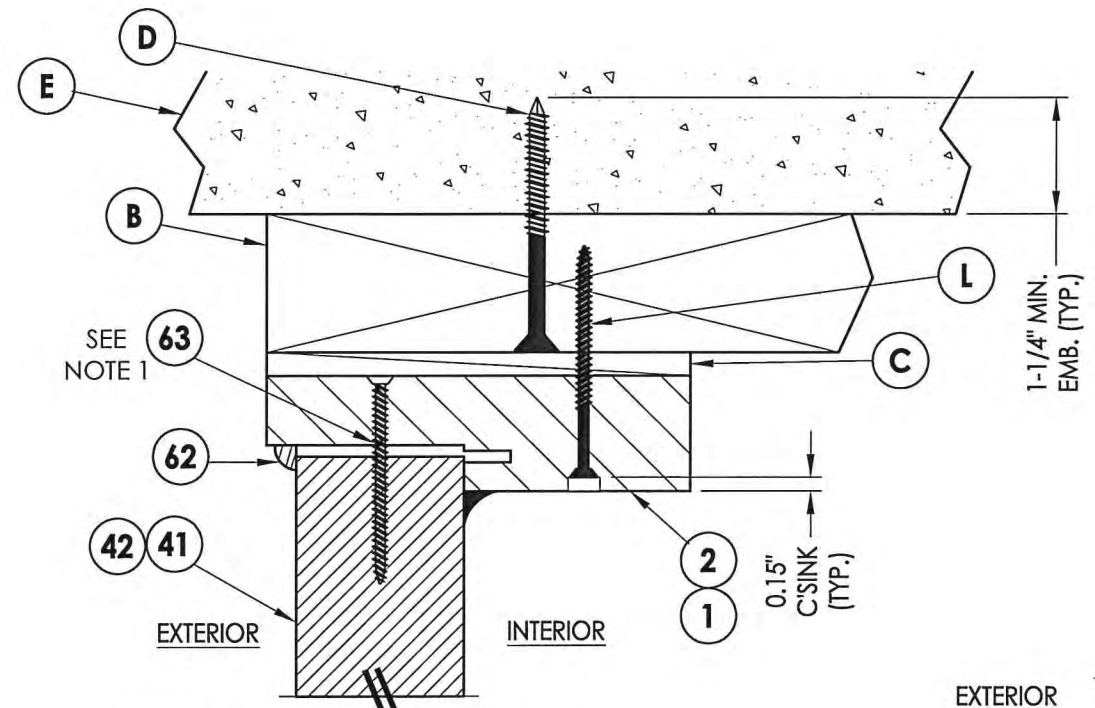
PRODUCT:	TRINITY GLASS INT'L
PART OR ASSEMBLY:	VERTICAL CROSS SECTIONS

NO.	DATE	BY	REVISIONS
1	03/02/15	JK	UPDATE TO 5TH ED. (2014) FBC

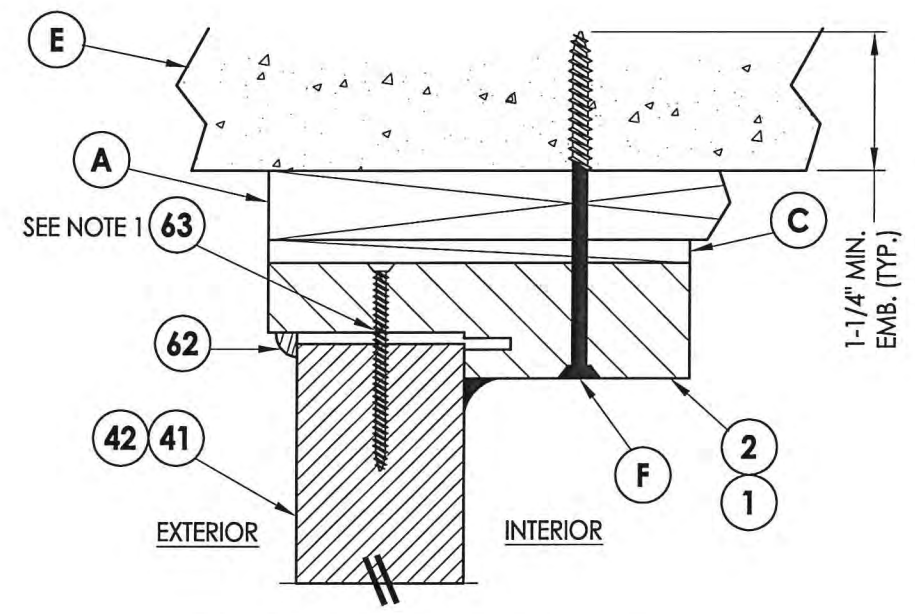
DATE:	02/27/12
SCALE:	N.T.S.
DWG. BY:	JK
CHK. BY:	LFS
DRAWING NO.:	FL-15255.11
SHEET	7 OF 12



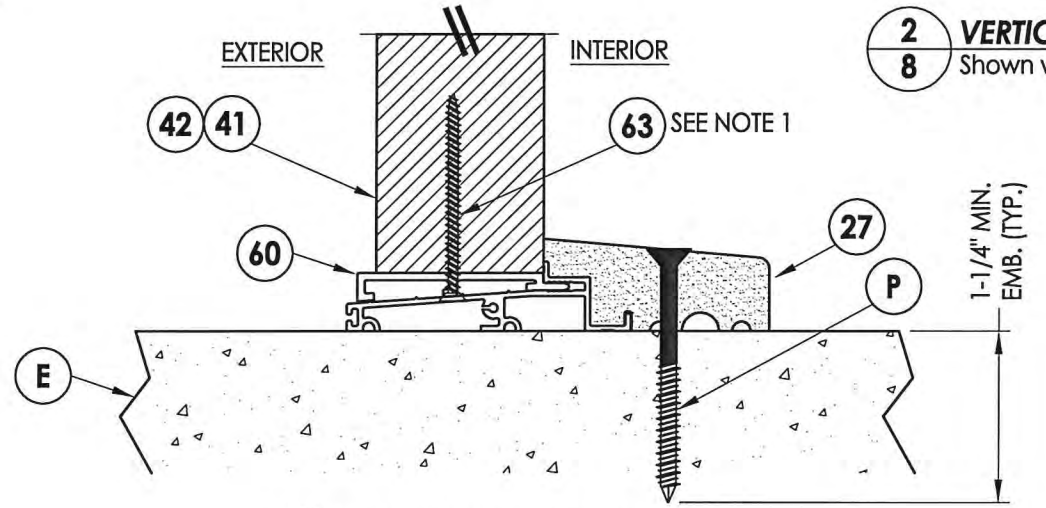
R:\Clients\Trinity PERMANENT\Florida Product Approvals\FL-15255\C - Drawings\FL-15255\FL-15255.9-12.dwg, 8.11



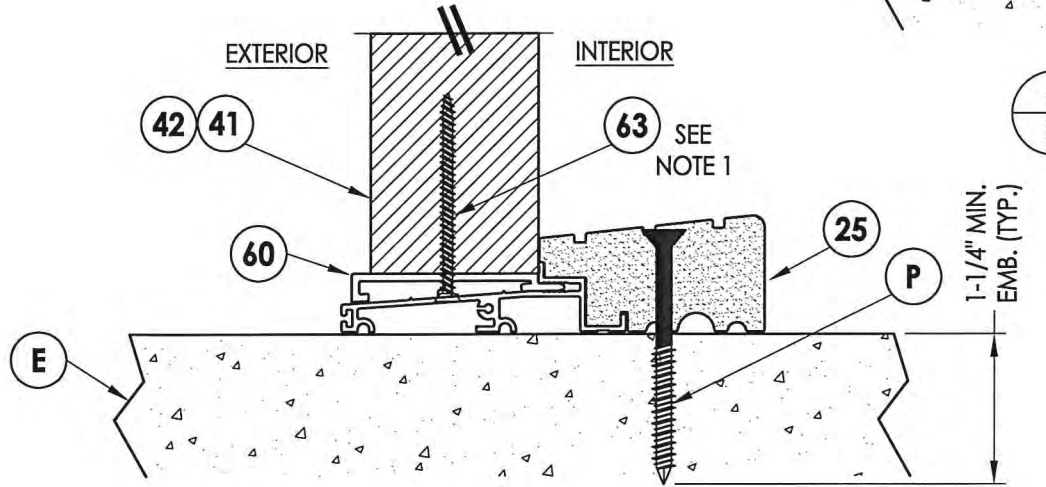
**1**  
**8** VERTICAL CROSS SECTION



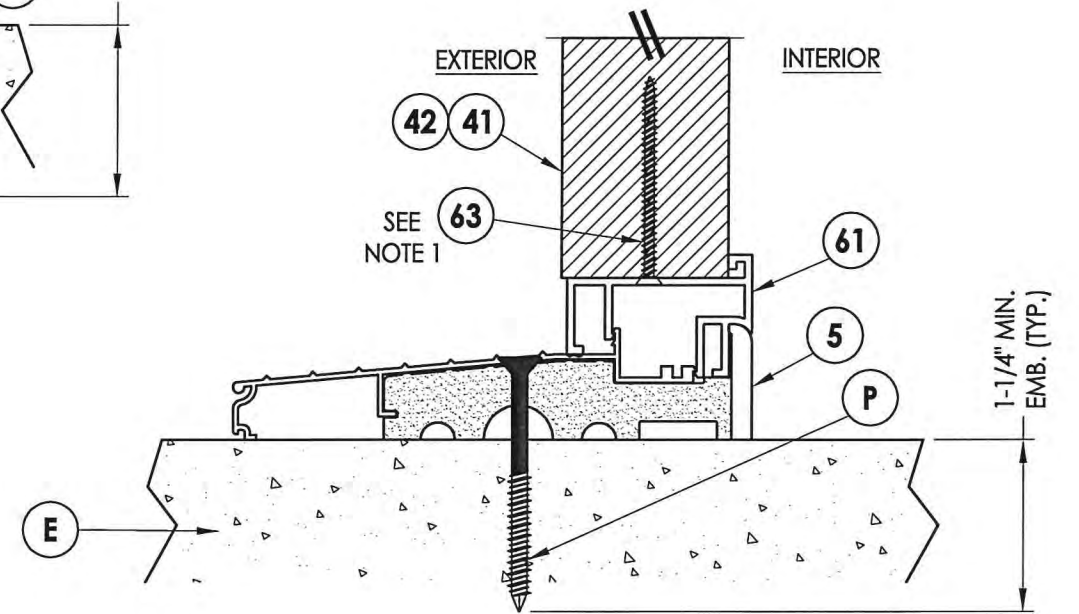
**2**  
**8** VERTICAL CROSS SECTION  
Shown w/1X sub-buck



**4**  
**8** VERTICAL CROSS SECTION  
Outswing sill

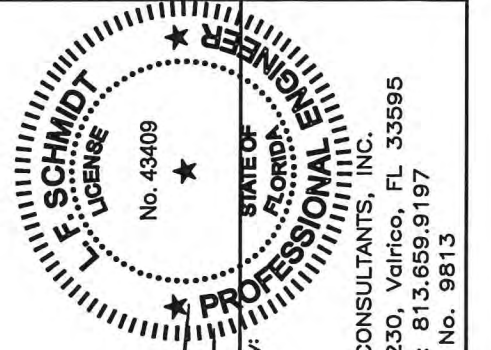


**3**  
**8** VERTICAL CROSS SECTION  
Outswing sill - high dam



**5**  
**8** VERTICAL CROSS SECTION  
Inswing sill

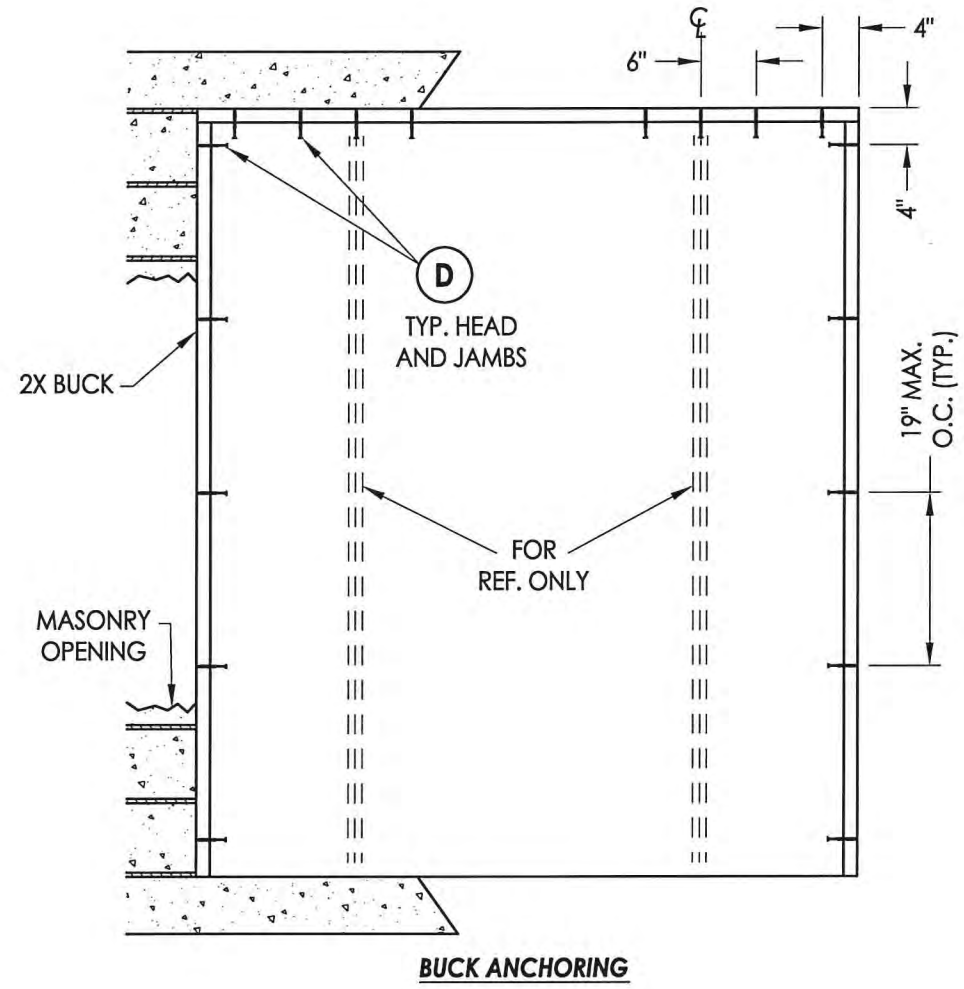
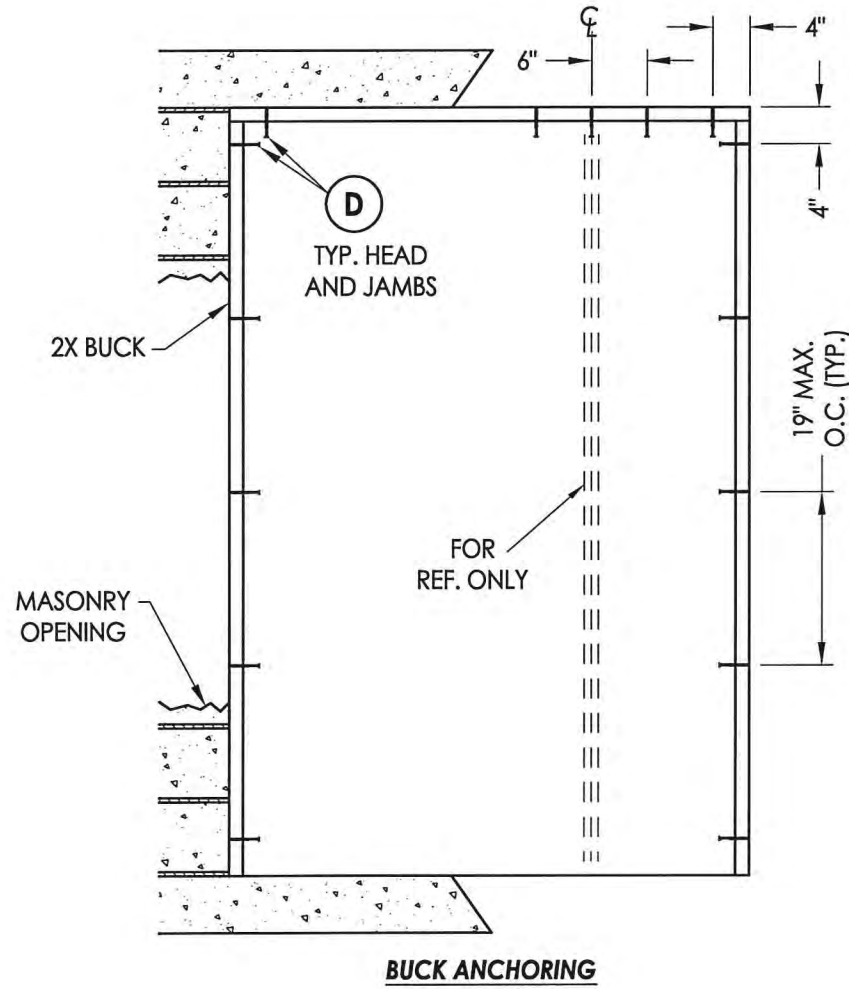
NOTE:  
1. Screws thru head and sill jamb located 3" from each end and on center line.



Documents Prepared By:  
Lyndon F. Schmidt  
P.E. No. 43409  
RW  
BUILDING CONSULTANTS, INC.  
P.O. Box 230, Valrico, FL 33595  
Phone No.: 813.659.9197  
FBPE C.A. No. 9813

PRODUCT:	TRINITY GLASS INT'L	
PART OR ASSEMBLY:	VERTICAL CROSS SECTIONS	
NO.	DATE	BY
1	03/02/15	JK
UPDATE TO 5TH ED. (2014) FBC		
REVISIONS		
DATE:	02/27/12	
SCALE:	N.T.S.	
DWG. BY:	JK	
CHK. BY:	LFS	
DRAWING NO.:	FL-15255.11	
SHEET	8 OF 12	





- CONCRETE ANCHOR NOTES:**
1. Concrete anchor locations at the corners may be adjusted to maintain the min. edge distance to mortar joints.
  2. Concrete anchor locations noted as "MAX. ON CENTER" must be adjusted to maintain the min. edge distance to mortar joints, additional concrete anchors may be required to ensure the "MAX. ON CENTER" dimension are not exceeded.
  3. Concrete anchor table:

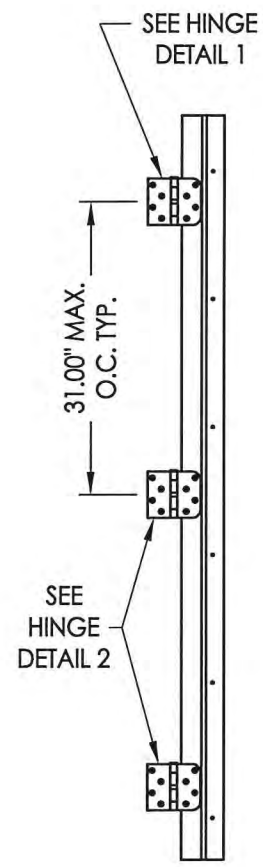
ANCHOR TYPE	ANCHOR SIZE	MIN. EMBEDMENT	MIN. CLEARANCE TO MASONRY EDGE	MIN. CLEARANCE TO ADJACENT ANCHOR
ITW TAPCON®	1/4"	1-1/4"	2"	4"
ELCO ULTRACON®	1/4"	1-1/4"	1"	4"



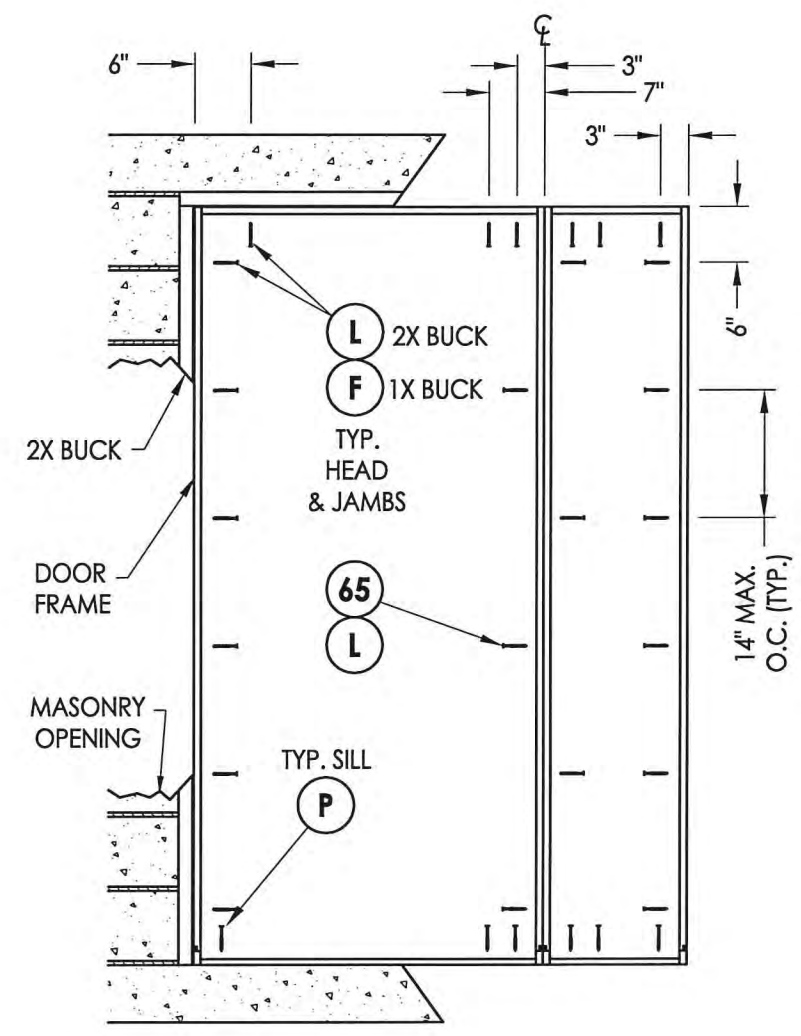
Documents Prepared By:  
 Lyndon F. Schmidt  
 P.E. No. 43409

*RW* BUILDING CONSULTANTS, INC.  
 P.O. Box 230, Vairico, FL 33595  
 Phone No.: 813.659.9197  
 FBPE C.A. No. 9813

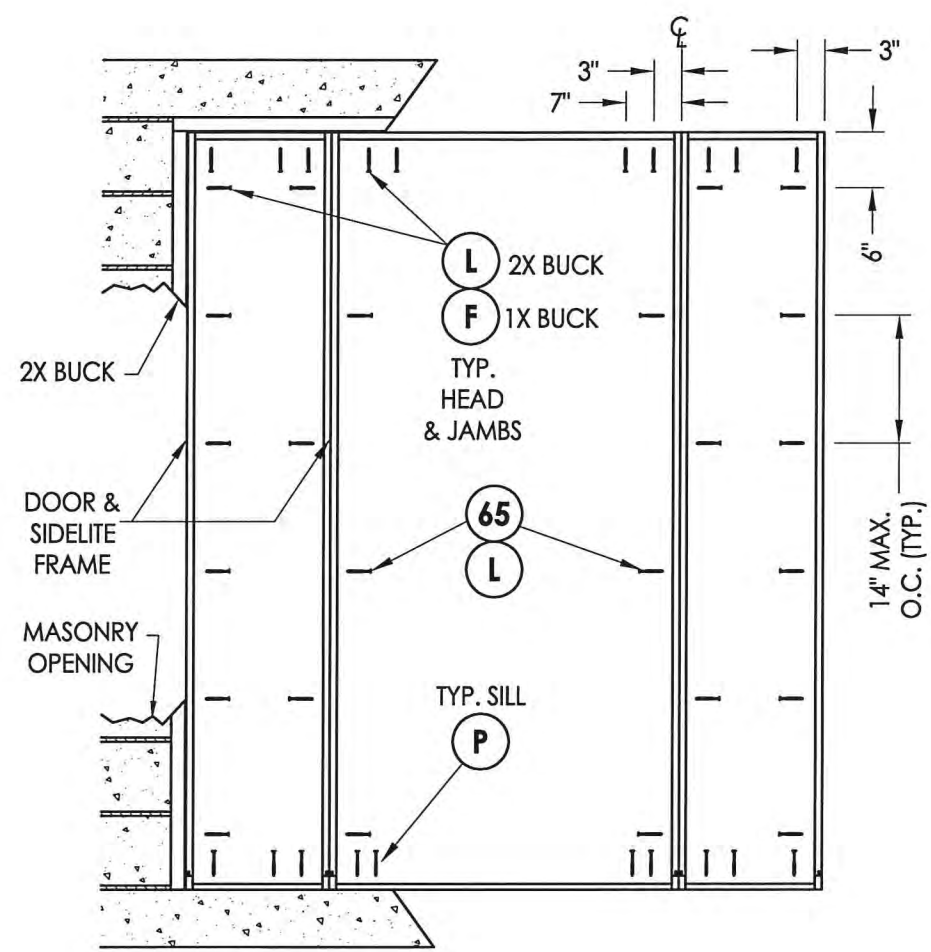
PRODUCT:	TRINITY GLASS INT'L
PART OR ASSEMBLY:	BUCK ANCHORING
NO.	1
DATE	03/02/15
UPDATE TO	5TH ED. (2014) FBC
BY	JK
REVISIONS	
DATE:	02/27/12
SCALE:	N.T.S.
DWG. BY:	JK
CHK. BY:	LFS
DRAWING NO.:	FL-15255.11
SHEET	9 OF 12



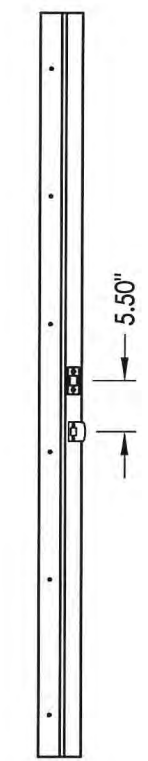
**HINGE JAMB**



**FRAME ANCHORING**  
Masonry construction



**FRAME ANCHORING**  
Masonry construction



**STRIKE JAMB**

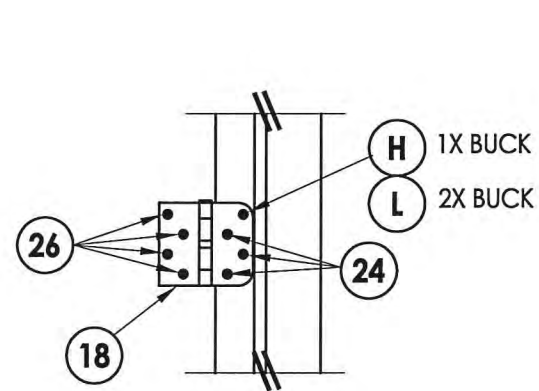
**CONCRETE ANCHOR NOTES:**

1. Concrete anchor locations at the corners may be adjusted to maintain the min. edge distance to mortar joints.
2. Concrete anchor locations noted as "MAX. ON CENTER" must be adjusted to maintain the min. edge distance to mortar joints, additional concrete anchors may be required to ensure the "MAX. ON CENTER" dimension are not exceeded.
3. Concrete anchor table:

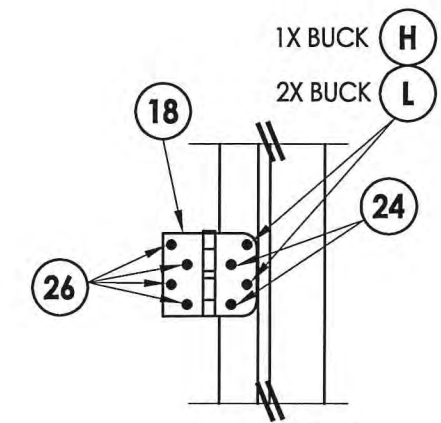
ANCHOR TYPE	ANCHOR SIZE	MIN. EMBEDMENT	MIN. CLEARANCE TO MASONRY EDGE	MIN. CLEARANCE TO ADJACENT ANCHOR
ITW TAPCON®	1/4"	1-1/4"	2"	4"
ELCO ULTRACON®	1/4"	1-1/4"	1"	4"

**WOOD SCREW INSTALLATION NOTES:**

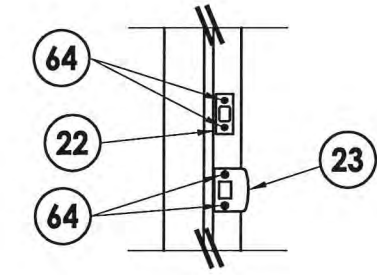
1. Maintain a minimum 5/8" edge distance, 1" end distance, & 1" o.c. spacing of wood screws to prevent the splitting of wood.



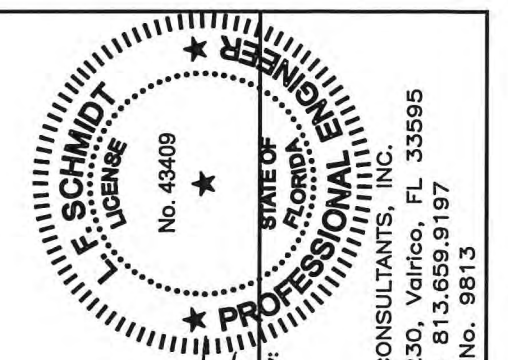
**HINGE DETAIL 2**



**HINGE DETAIL 1**



**STRIKE PLATE DETAIL**



Documents Prepared By:  
Lyndon F. Schmidt  
P.E. No. 43409

**RW** BUILDING CONSULTANTS, INC.  
P.O. Box 230, Valrico, FL 33595  
Phone No.: 813.659.9197  
FBPE C.A. No. 9813

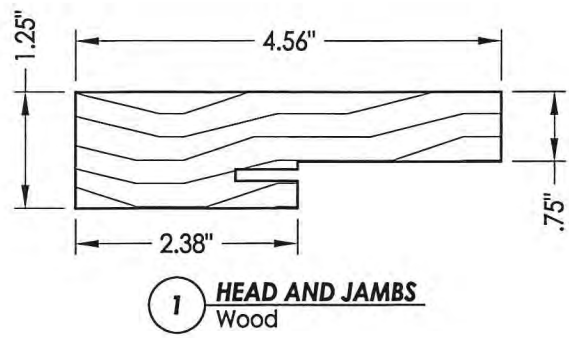
PRODUCT: TRINITY GLASS INT'L

PART OR ASSEMBLY: FRAME ANCHORING

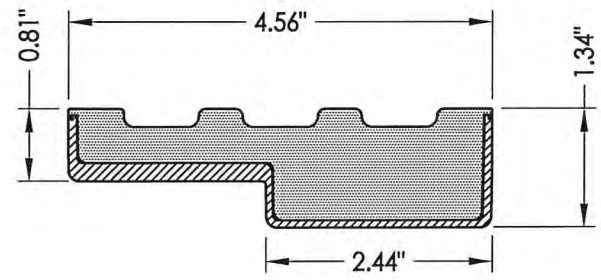
NO.	DATE	REVISIONS
1	03/02/15	UPDATE TO 5TH ED. (2014) FBC
		JK BY

DATE: 02/27/12  
SCALE: N.T.S.  
DWG. BY: JK  
CHK. BY: LFS  
DRAWING NO.: FL-15255.11  
SHEET 10 OF 12

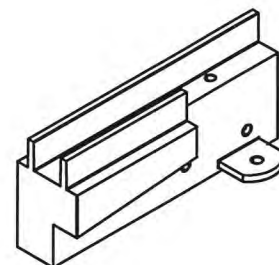
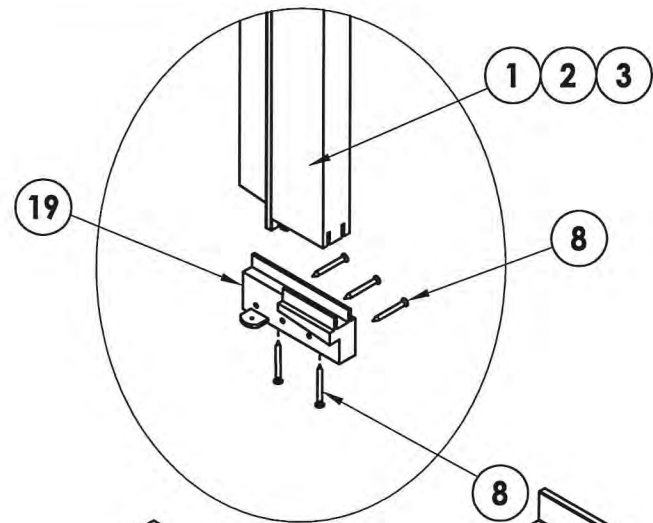




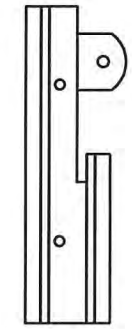
**1 HEAD AND JAMBS**  
Wood



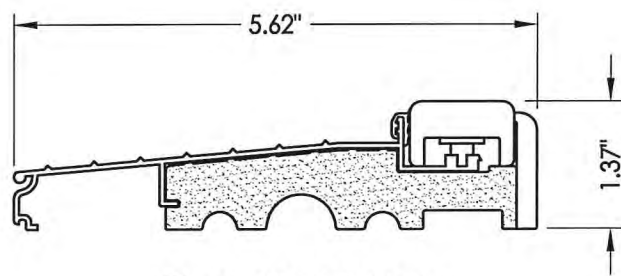
**2 HEAD AND JAMBS**  
Composite PVC Base  
w/ Fiberglass Wrap



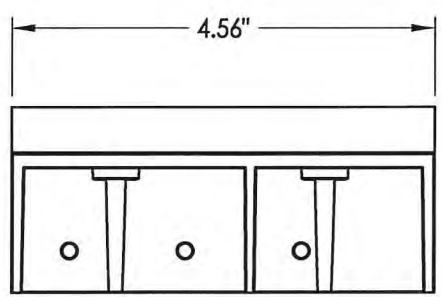
SILLKEY, LEFT  
SCALE: NONE



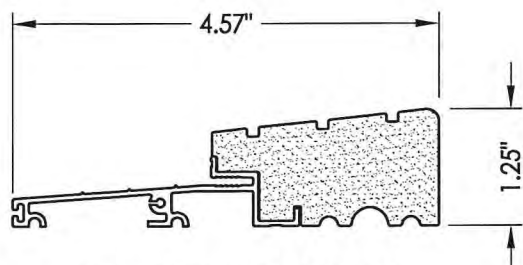
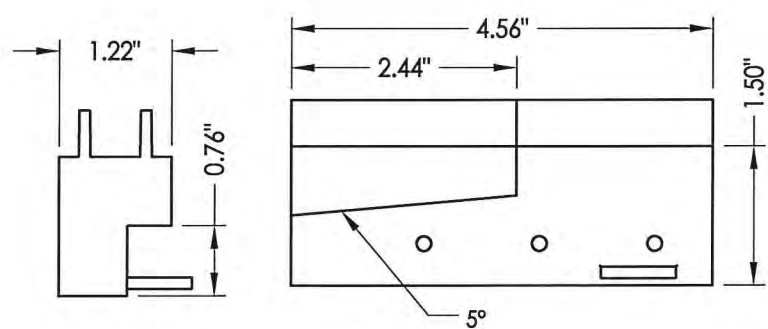
SILLKEY, RIGHT  
SCALE: NONE



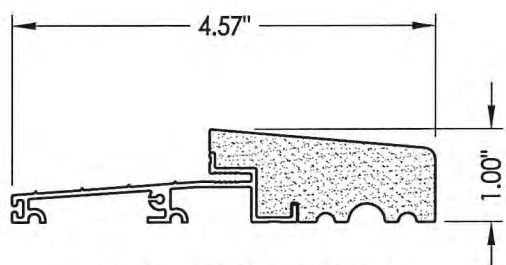
**5 INSWING THRESHOLD**



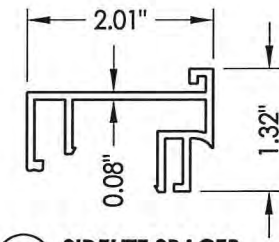
**19 SILLKEY DETAILS**  
Optional



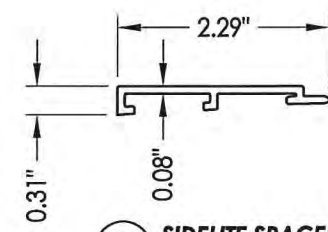
**25 OUTSWING THRESHOLD**  
High-dam



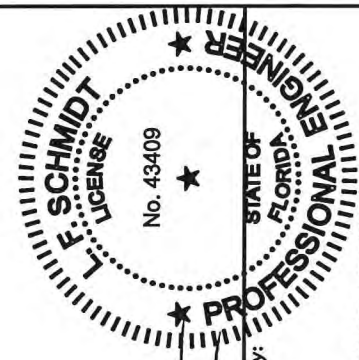
**27 OUTSWING THRESHOLD**



**61 SIDELITE SPACER**  
Inswing



**60 SIDELITE SPACER**  
Outswing



Documents Prepared By:  
Lyndon F. Schmidt  
P.E. No. 43409

**RW** BUILDING CONSULTANTS, INC.  
P.O. Box 230, Valrico, FL 33595  
Phone No.: 813.659.9197  
FBPE C.A. No. 9813

PRODUCT:	TRINITY GLASS INT'L
PART OR ASSEMBLY:	COMPONENTS

NO.	DATE	REVISIONS
1	03/02/15	UPDATE TO 5TH ED. (2014) FBC
JK		
BY		

DATE:	02/27/12
SCALE:	N.T.S.
DWG. BY:	JK
CHK. BY:	LFS
DRAWING NO.:	FL-15255.11
SHEET	11 OF 12

